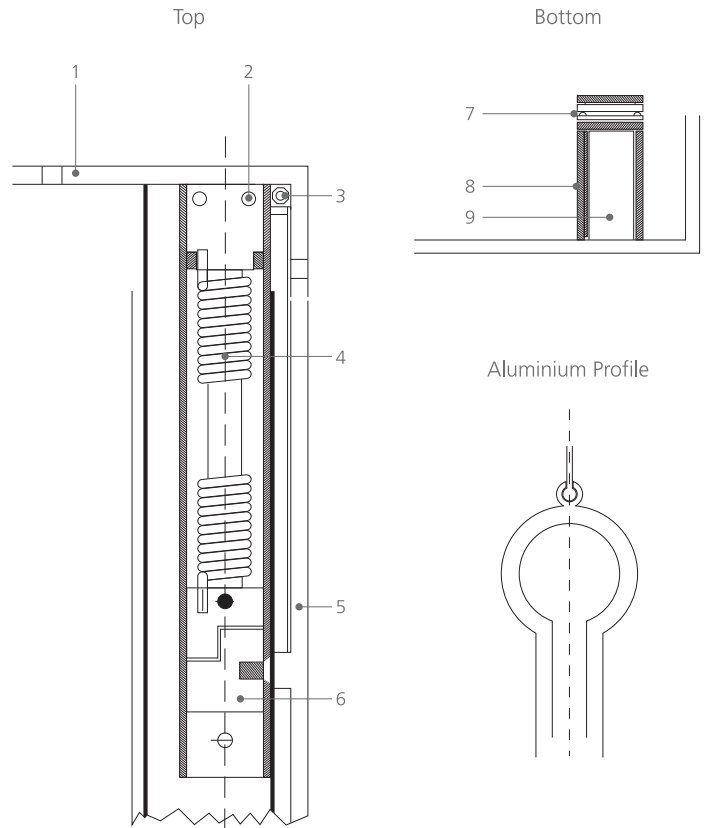
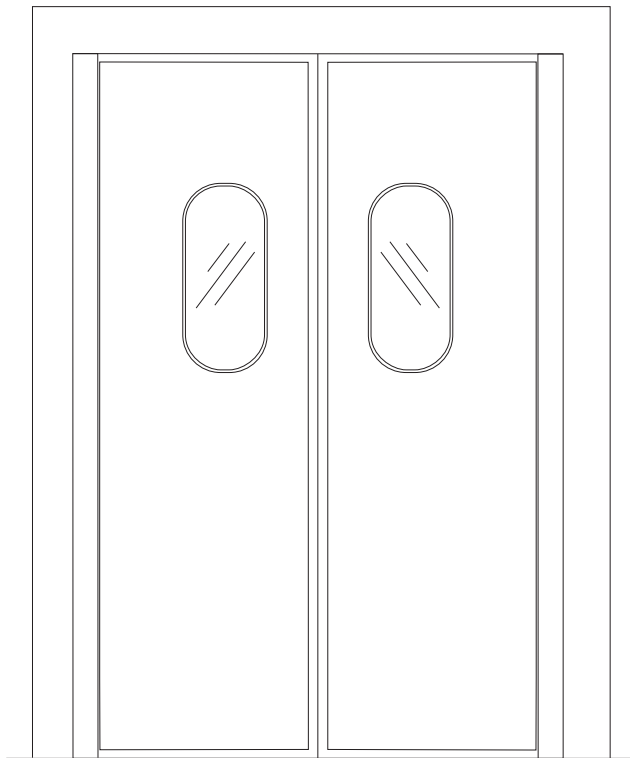




data sheet
Atmodoors
Rigid Impact Door

- ~ The Rigid Impact Door assists in environmental control
- ~ Suitable for push-carts, pedestrians and motorised pallet traffic
- ~ Reduce energy costs
- ~ Visual barrier between two areas



1. Mounting bracket (top)
2. Tensioning holes
3. Adjustment screw
4. Closing spring
5. PVC seal

6. Spring lock joint
7. Ball bearing with spacers
8. Anti-friction sleeve
9. Bottom bracket with guide pin

Atmodoors: Rigid Impact Door

The ideal door where privacy into restricted areas and appearance are major considerations.

Each 13mm thick, rigid, stress relieved, sanitised, high-density polyethylene (HDPE) panel is mounted in a one-piece continuous frame and will have a clear safety window.

- ~ Assists in environmental control
 - saving energy costs
- ~ Suitable for push-carts, pedestrians and motorised pallet traffic
- ~ Bumpers are optional
- ~ Visual barrier between two areas

Applications:

Retail stores, restaurants, pharmacies, convenience stores, processing plants, factories.

Technical Data

Door Frame	Specially designed aluminium back spine including a ridge to incorporate a PVC strip or brush for better sealing and noise reduction
Door Panels	13mm thick, grey HDPE (other colours available)
Vision Panels	150mm x 400mm made from durable polycarbonate material fastened in a retainer
Door Opening	Up to 2m wide x 2m high
Bumpers	Optional - HDPE aluminium or stainless steel kick and push plates. Spring bumpers also available for heavier trolley traffic to absorb additional impact

Rigid Impact Doors operate on a torsion spring mechanism, that opens with a gentle push and closes automatically. The bottom pivot on which the door rests includes a ball bearing which minimises friction and offers a very smooth operation.

Maxiflex Johannesburg

Tel: 011 392 1709
Fax: 011 392 6919

Maxiflex Cape Town

Tel: 021 982 0570
Fax: 086 724 7023

Maxiflex Durban

Tel: 031 705 4044
Fax: 031 705 4333

Maxiflex Port Elizabeth

Tel: 041 585 0690
Fax: 086 688 8160