

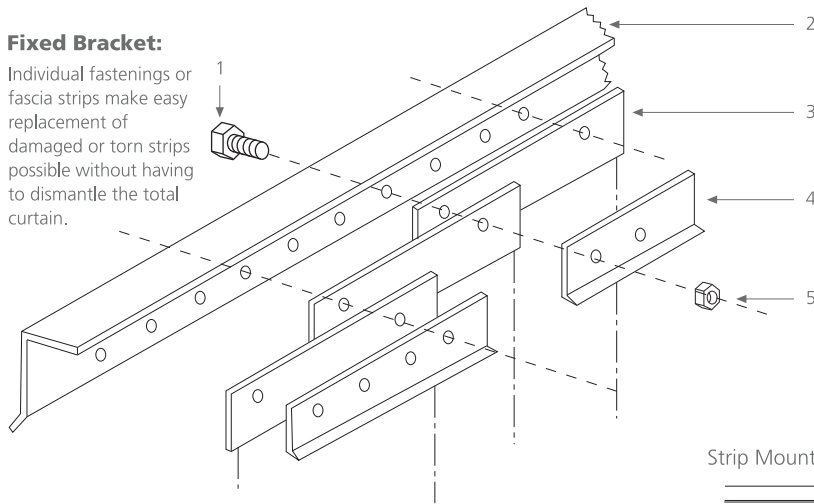


data sheet  
**Stripcurtains**  
Protection Screens | PVC Sheeting

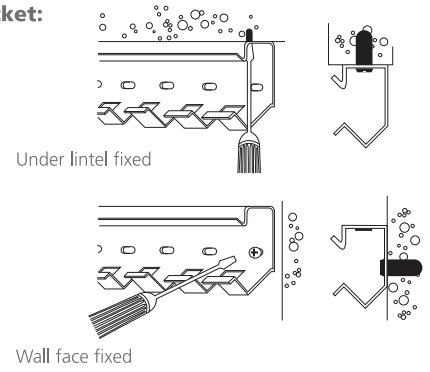
- ~ Energy saving
- ~ Eliminates draughts
- ~ Insect, bird, rodent and dust barrier
- ~ Noise reduction

### Fixed Bracket:

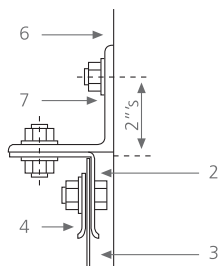
Individual fastenings or fascia strips make easy replacement of damaged or torn strips possible without having to dismantle the total curtain.



### Swivel Bracket:

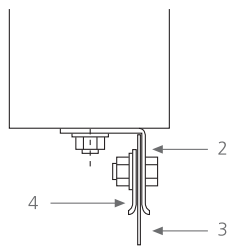


### Wall Mounting Method



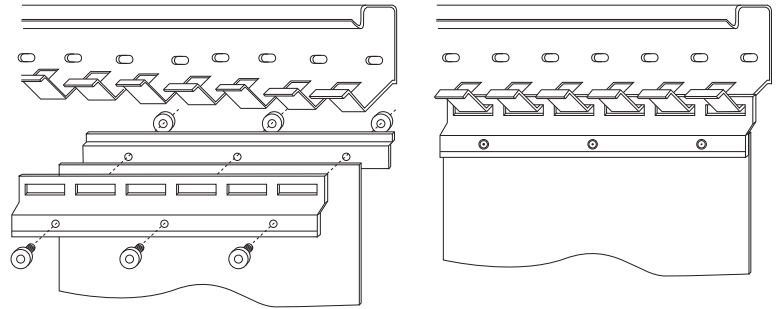
1. Bolt
2. Backing strip
3. PVC strip curtain
4. Fascia strip

### Lintel Mounting Method

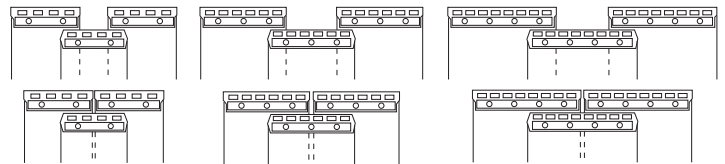


5. Nut
6. Face of wall
7. Angle clip

### Strip Mounting



### Overlap Configuration



## Maxiflex: Strip Curtains

The economical solution for enclosing all internal and external apertures. Transparent strips formulated from a PVC compound, designed to combine high clarity with mechanical strength due to an outstanding degree of flexibility. The clear strips will not interfere with natural light and will allow unlimited access to vehicles and pedestrians under conditions from +60° to -45°.

Available in various widths and thicknesses (200 x 2mm, 300 x 3mm and 400 x 4mm). The strips are mounted to specially designed mounting brackets.

- ~ Eliminates draughts
- ~ Energy conservation
- ~ Reduction in heat/cold loss
- ~ Containment of dust
- ~ Noise reduction
- ~ Improved working environment
- ~ Insect/bird/rodent barrier
- ~ Protection from sparks and splashes

### Applications:

Cold/freezer room doors, storage area enclosures, personnel doors, factory entrances, conveyor openings, factory partitionings, spray booths, overhead crane-way openings, ventilation brattices

## Maxiflex: Protection Screens

Protects personnel from sparks, splashes and welding flash. Formulated from a blue/bronze PVC that removes 99.9% UV in welding applications to ensure optical safety to people not directly involved in the operation. Excellent two-way vision through the near transparent strips allows for maximum visibility needed for safety and supervisory reasons.

### Advantages:

- ~ Removes 99.9% UV in welding applications
- ~ Available as a fully assembled or kit-form 2m wide x 2m high screen with or without wheels and bronze/blue strips or yellow sheets

### Applications:

Welding safety screen, noise reduction screen, grinding screen, wind barrier

### Maxiflex: PVC Sheeting

W x T (mm)	W x T (mm)
1000 x 7	1500 x 3
1200 x 2	1500 x 5
1200 x 3	1500 x 7
1200 x 5	2000 x 3
1200 x 7	2000 x 5
1500 x 1	

LENGTH: Standard 20m or cut to size  
COLOUR: Clear

### Maxiflex Johannesburg

Tel: 011 392 1709  
Fax: 011 392 6919

### Maxiflex Cape Town

Tel: 021 982 0570  
Fax: 086 724 7023

### Maxiflex Durban

Tel: 031 705 4044  
Fax: 031 705 4333

### Maxiflex Port Elizabeth

Tel: 041 585 0690  
Fax: 086 688 8160